

LUXE

LUXE

MACHAN INTERNATIONAL CO., LTD.

No. 59-7, Shan-jiao Lane, Shui-mei Village,

Waipu, Taichung 43858, Taiwan

Tel: +886-4-2688-7171

Fax: +886-4-2688-5050

sales@bailida-medical.com

www.bailida-medical.com

CE ISO 9001:2000



LX SERIES

MEDICAL FURNITURE & HOSPITAL EQUIPMENT

Machan International Co., Ltd. is the parent company of BAILIDA and a manufacturer of professional tool storage units with a well earned international reputation for quality and service. For over 35 years we have been providing uniquely designed and high quality tool storage products to customers internationally. We are located in Taiwan, and were founded in 1976.

BAILIDA is our latest brand of hospital equipment. BAILIDA hospital equipment products include:

- Medical carts
- Medication carts
- Emergency / crash carts
- Utility trolleys
- Hospital equipment
- Hospital storage units and accessories

We also provide custom OEM/ODM services. BAILIDA is the transliteration of the Chinese meaning "100% of our best" for you. This is BAILIDA's essential spirit. And we take advantage of our strong Research and Development and Quality Management teams to provide you with OEM/ODM services and custom products.

BAILIDA is still young in the hospital equipment market but we are full of energy. In order to achieve 100% of our best, we leverage our creativity, efficiency, quality, stylish design and professional service to continually offer innovative and useful products.

Make BAILIDA your first choice for hospital equipment. Whether products or services, we promise to give you 100% of our best.

Index

LX SERIES

1~25

- 1 Features of the LX Series
- 3 Crash / emergency cart
- 5 Anesthesia cart
- 7 Procedure cart
- 9 Isolation cart
- 11 Storage cabinet
- 13 File cart
- 15 Double medical cart
- 17 Accessory list
- 19 Divider system package
- 21 Open trolley range
- 23 Bedside cabinet
- 25 Med-bin cart

NCL & MIL SERIES 26~30

- 27 Narrow cart
- 30 Mini cart

MF SERIES

31~43

- 32 IV pole stand
- 33 Func-cart series
- 39 Utility cart
- 41 Equipment cart
- 43 Clean linen trolley



100% of our best for you

FEATURES OF THE LX SERIES

Powder paint

4 main colours, other colour options available

- Anti-static paint available
- Anti-static and anti-bacterial paints available

You can choose more than just colours.
The cart can be a part of your stylish furniture.

- Wood grain design
- Garden & Sea sticker design for kids hospital

4 main colours	Other available colours
 White	 Cream
 Yellow	 Bright orange
 Red	 Blush pink
 Blue	 Lavender
	 Light blue
	 Fresh green



ABS top surface
Light, easy to clean.
Aluminium drawer handle



Aluminium push handle
User friendly design,
height adjustable, easy
set up.



Sliding table top extension
Easy to use, space
saving, max load 5kgs



Central lock
Secures all
drawers



MIS (Make It Safe)



Auto return (standard)



Soft return (light & quiet)

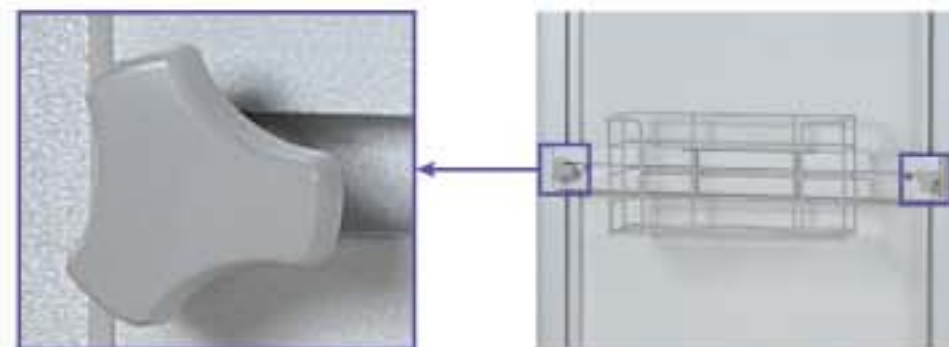
Rail options

Divider system
Clearly sorts and
organises medicines



LX Side rail w/ knobs

- Tool free
- Side rail can be fixed securely with adjustable knobs
- Accessory height is adjustable by turning knobs



Caster options

Size: 5" (Ø125mm)
Caster and drawer
options are available
to satisfy different
customer
requirements.



Twin wheel
TPR caster



Plastic medical
TPR caster
(standard)



Dustproof
medical TPR
caster



Steel medical
TPR caster

Drawer specifications

3 available cart heights: 31", 34", 37"
(w/o 5" Caster)

A Drawer
W569 x D398 x H76 (3")

B Drawer
W569 x D398 x H155 (6")

C Drawer
W569 x D398 x H234 (9")



CRASH / EMERGENCY CARTS



Garden sticker design for kids hospital

LX Emergency / Crash Carts were designed with input from emergency room professionals to deliver the ultimate in convenience and safety. These carts define a new standard of organization and function with specialised accessories for every emergency response. This series offers stable, smooth mobility and enhanced convenience with changeable accessories, as well as a breakaway lock for that little bit extra.



SPECIFICATIONS	LX31EMG		LX34EMG		LX37EMG	
	mm	inch	mm	inch	mm	inch
W	690	27.2	690	27.2	690	27.2
D	540	21.3	540	21.3	540	21.3
H	930	36.6	1010	39.8	1090	42.9
H (w/o 5" Caster)	805	31.7	885	34.8	965	38



2 Defibrillator shelf is able to turn 360° and lock tight during transportation.

Breakaway lock
2 options



First drawer only



Locking bar

STANDARD ACCESSORIES

- 1** IV pole
- 2** Defibrillator shelf
- 3** CPR board
- 4** Oxygen tank holder
- 5** Suction machine holder



CPR board
Macromolecular polymer CPR board is strong and easy to clean.



Oxygen tank holder
Adjustable ties securely fasten the oxygen tank.



Suction machine holder

ANESTHESIA CARTS

LX Anesthesia Carts were designed with a combination of functions and technology specific to the needs of the anesthesia department. This series offers a wide choice of accessories to personalise carts for every possible situation. The top narcotics drawer locks to ensure medications are secure at all times.



SPECIFICATIONS

	LX31ANE		LX34ANE		LX37ANE	
	mm	inch	mm	inch	mm	inch
W	690	27.2	690	27.2	690	27.2
D	540	21.3	540	21.3	540	21.3
H	930	36.6	1010	39.8	1090	42.9
H (w/o 5" Caster)	805	31.7	885	34.8	965	38



STANDARD ACCESSORIES

- 1** IV pole
- 2** Tilt bin organisers (S)
- 3** Tilt bin organisers (L)
- 4** Accessory bridge
- 5** Glove dispenser
- 6** Sharps container set
- 7** Waste container w/ lid
- 8** Catheter holder





PROCEDURE CARTS

LX Procedure Carts can be arranged to suit a multitude of medical departments & situations.

- | | |
|---------------------------|----------------------|
| Supply and storage | Bio-medical |
| Surgical | IV |
| Castings | Critical care |
| Dressings | Trauma |
| Airways | Lab |



SPECIFICATIONS

	LX31PRO		LX34PRO		LX37PRO	
	mm	inch	mm	inch	mm	inch
W	690	27.2	690	27.2	690	27.2
D	540	21.3	540	21.3	540	21.3
H	930	36.6	1010	39.8	1090	42.9
H (w/o 5" Caster)	805	31.7	885	34.8	965	38



STANDARD ACCESSORIES

- 1 IV pole
- 2 Multi storage (L)
- 3 Garbage bin w/ lid
- 4 Sharps container set



Multi storage (L)



Garbage bin w/ lid



Sharps container set



ISOLATION CARTS

LX Isolation Carts were designed with bright yellow drawers to alert staff and visitors. This series is available with non-locking drawers, central locking drawers, or individually locking drawers. Typical accessory options include deep drawers for bulky supplies (gowns, caps, gloves, etc.) and a built-in aluminium frame with yellow sign line.



SPECIFICATIONS

	LX31ISO		LX34ISO		LX37ISO	
	mm	inch	mm	inch	mm	inch
W	690	27.2	690	27.2	690	27.2
D	540	21.3	540	21.3	540	21.3
H	930	36.6	1010	39.8	1090	42.9
H (w/o 5" Caster)	805	31.7	885	34.8	965	38



Drawers & dividers
Strong drawers with large storage capacity easily store large expendables and other supplies.



Side rail w/ knob

- Tool free
- Side rail can be fixed securely with adjustable knobs
- Accessory height is adjustable by turning knobs

STANDARD ACCESSORIES

- 1 Multi storage (L)
- 2 Waste container w/ lid
- 3 Glove dispenser



Multi storage (L)



Waste container w/ lid



Glove dispenser



STORAGE CABINET

With the top quality construction, the storage cabinet creates ideal workspace and solutions of secure storage to keep you organized. The mobile cart availability provides you the flexibility anywhere. Different accessory combinations can be selected and assembled.



Drawers & dividers
Strong drawers with large storage capacity easily store large expendables and other supplies.



Locking door keeps storage secure

- Metal construction with durable powder coating
- 4 aluminum frames
- ABS top, pull-out work table, push handle
- Central key lock design
- One adjustable layer inside
- Standard 5" plastic casters
(2 w/ brake, 1 free, 1 w/ direction control)



LX3101SC

LX3402SC

LX3703SC

SPECIFICATIONS

	mm	inch	mm	inch	mm	inch
W	690	27.2	690	27.2	690	27.2
D	540	21.3	540	21.3	540	21.3
H	930	36.6	1010	39.8	1090	42.9
H (w/o 5" Caster)	805	31.7	885	34.8	965	38.0



(File divider design is available, max 19 dividers, MDF material (Medium density fiberboard))

FILE CARTS

LX File Carts were designed for efficient use, speedy delivery, and to fit different document sizes.



Features

- ABS top w/ sliding extension
- 12" high drawer x 2
- Central lock and key
- 5" TPR caster

Features

- ABS top w/ sliding extension
- 15" high door w/ handle
- 10 wire dividers
- 12" high drawer
- 5" TPR caster

Divider



Divider level adjusts to fit different document sizes.

SPECIFICATIONS

LX31FDT

	mm	inch
W	690	27.2
D	540	21.3
H	930	36.6
H (w/o 5" Caster)	805	31.7

Drawer



Adjustable file holders can be set at different positions.

SPECIFICATIONS

LX34FDT

	mm	inch
W	690	27.2
D	540	21.3
H	1010	39.8
H (w/o 5" Caster)	885	34.8



Locking door keeps documents secure

DOUBLE MEDICAL CART

This double medical cart provides large space for storage and organizes medicines easily and clearly. The key lock design secures all drawers. It also offers stable, smooth mobility and enhanced convenience with changeable accessories to meet your needs.



DL34

Drawer combination
You can select different drawer combinations within the limited height 27".

A drawer dimension

- W569 x D398 x H76mm (3")
- W569 x D398 x H155mm (6")
- W569 x D398 x H234mm (9")
- 3" divider sets: P-FD3 / P-AD3
- 6" divider sets: P-FD6 / P-AD6

B drawer dimension

- W399 x D398 x H76mm (3")
- W399 x D398 x H155mm (6")
- W399 x D398 x H234mm (9")
- 3" divider sets: N-AD3
- 6" divider sets: N-AD6

(Door w/shelves is available)

SPECIFICATIONS

DL34

	mm	inch
W	1125	44.3
D	545	21.5
H	1010	39.8
H (w/o 5" Caster)	885	34.8

Features

- Metal construction with powder coating
- 4 aluminum frames
- ABS top, pull-out work table & push handle
- Central key lock design
- Standard 5" iron casters
(1 free, 1 w/direction control, 2 w/brake)



VLP



VVP

SCREEN HOLDER

If using PC monitor, you can choose VVP or VLP to assemble on the right side of carts. It is height adjustable.

- Part no. VLP includes 2 + 3
- Part no. VVP includes 1 + 2

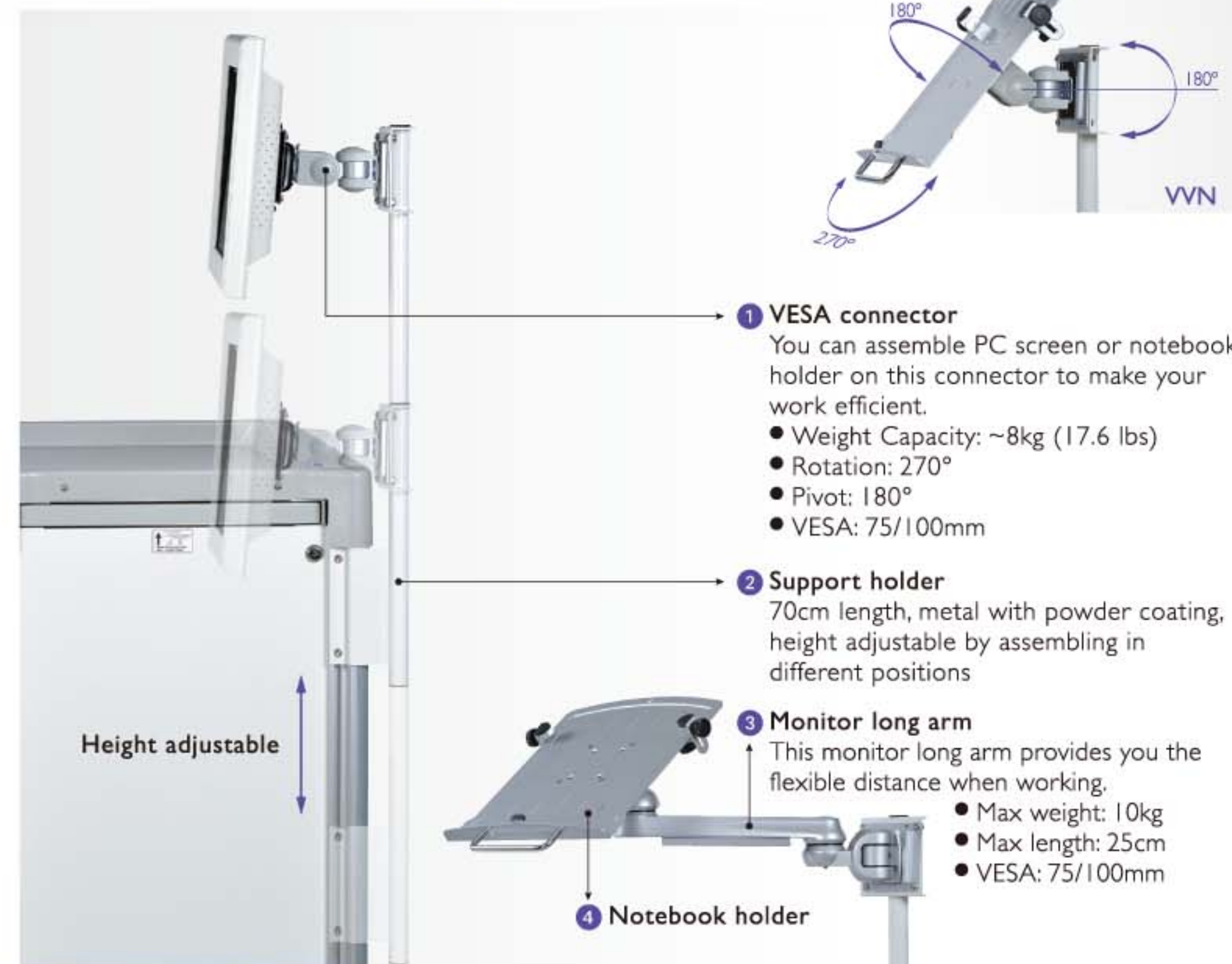


VLN

NOTEBOOK HOLDER

If using the notebook, you can choose

- Part no. VLN includes 2 + 3 + 4
- Part no. VVN includes 1 + 2 + 4



1 VESA connector

You can assemble PC screen or notebook holder on this connector to make your work efficient.

- Weight Capacity: ~8kg (17.6 lbs)
- Rotation: 270°
- Pivot: 180°
- VESA: 75/100mm

2 Support holder

70cm length, metal with powder coating, height adjustable by assembling in different positions

3 Monitor long arm

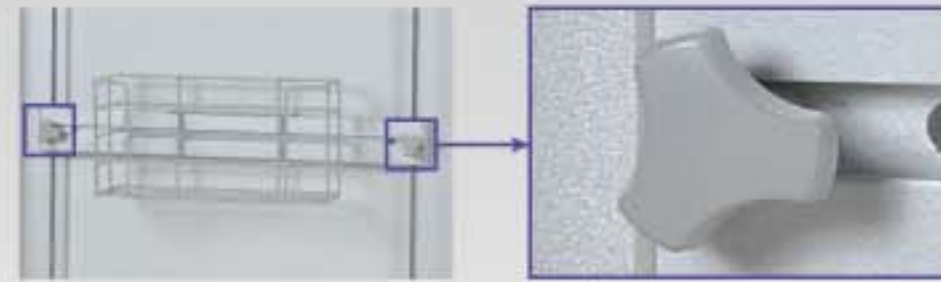
This monitor long arm provides you the flexible distance when working.

- Max weight: 10kg
- Max length: 25cm
- VESA: 75/100mm

4 Notebook holder

Height adjustable

ACCESSORY LIST



LX Side rail w/ knobs

- Tool free
- Side rail can be fixed securely with adjustable knobs
- Accessory height is adjustable by turning knobs

Top accessories



VIV
IV pole



VDS
Defibrillator shelf
355 x 355 ~ 415mm



VTB-2
Tilt bin organiser (S)
603 x 106 x 253mm



VTB-1
Tilt bin organiser (L)
603 x 123 x 153mm



P-AB
Accessory bridge
800mm



VBS-1 & VPR-1
Bulk storage bins (L)
& back rail
75 x 105 x 190mm



VGD & VPR-1
Glove dispenser &
back rail
160 x 135 x 95mm



VBH & VPR-1
Bottle holder &
back rail
355 x 95 x 80mm

Rear accessories



VCPR & VHK
CPR cardiac board &
hooks
440 x 510 x 10mm



VMH
Magnetic label holder
L80 x W50 x T5mm
6pcs/pack



VPT
Pull-tite seal in pink
w/ serial no., 50pcs/pack



VPS
Plastic seal in red
w/ serial no., 50pcs/pack

Others

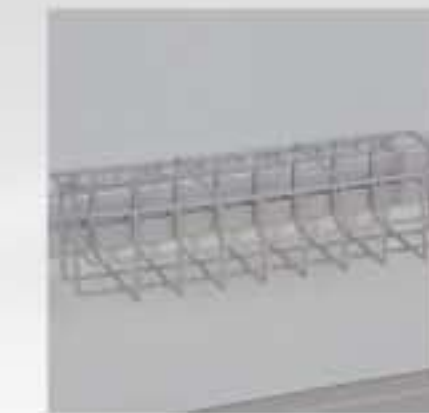
Side accessories



VGD & VPR-2
Glove dispenser &
side rail



VSC & VPR-2
Sharps container &
side rail



VBH & VPR-2
Bottle holder &
side rail



VMS & VPR-2
Multi-storage (L) &
side rail



VWC & VPR-2
Waste container w/ lid &
side rail
255 x 170 x 315mm



VWB & VPR-2
Waste bin & side rail
265 x 255 x 460mm



VGB & VPR-2
Garbage bin & side rail
255 x 170 x 315mm



VFH & VPR-2
File holder & side rail
320 x 118 x 250mm



VO2 & VPR-2
Oxygen tank holder &
side rail
145 x 125 x 403mm



VCH & VPR-2
Catheter holder &
side rail
100 x 100 x 480mm



VSH & VPR-2
Suction machine holder &
side rail
213 x 395 x 115mm



VDH & VPR-2
Documents holder &
side rail
330 x 160 x 255mm



VSD
Side drawer set, for
34" & 37" only,
450 x 120 x 665mm



VBP & VPR-2
Bumper set




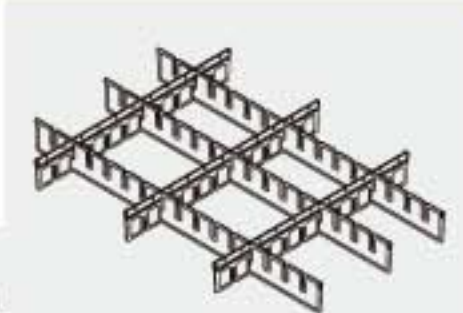

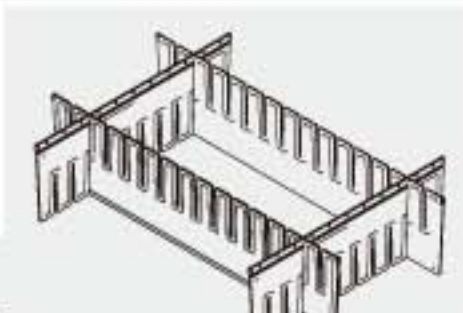
VVP
Screen holder set,
short arm



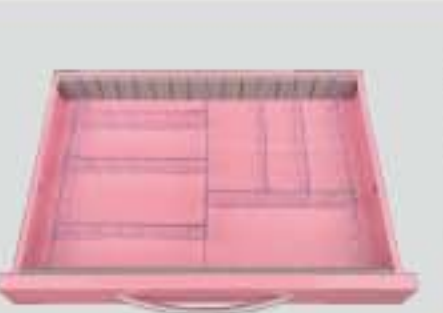
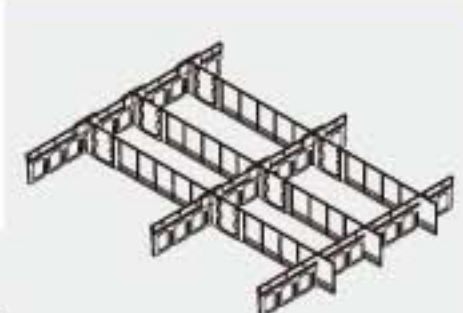

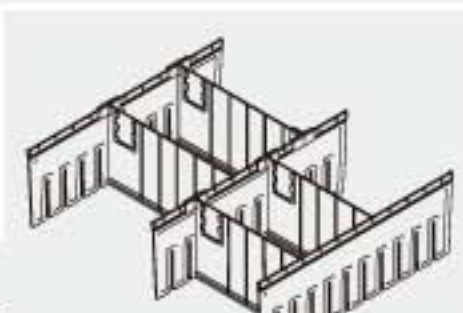
VLP
Screen holder set,
long arm

DIVIDER SYSTEM PACKAGE

Fixed divider set

 <p>P-FD3</p>	<p>3" fixed divider set in drawer (3 x short + 3 x fixed + 2 x 3" strip)</p>	 <p>P-FT3</p>
 <p>P-FD6</p>	<p>6" fixed divider set in drawer (2 x short + 2 x fixed + 2 x 6" strip)</p>	 <p>P-FT6</p>

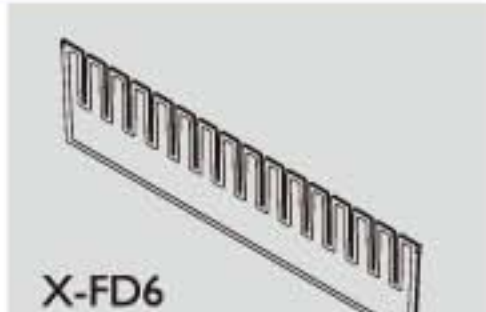

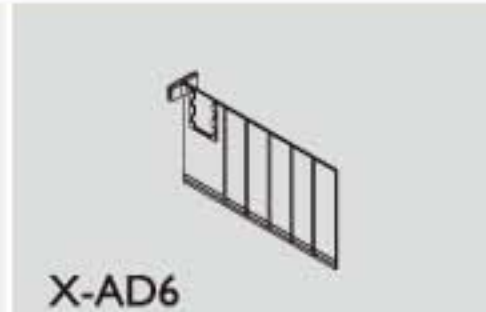

Adjustable divider set (Length adjustable)

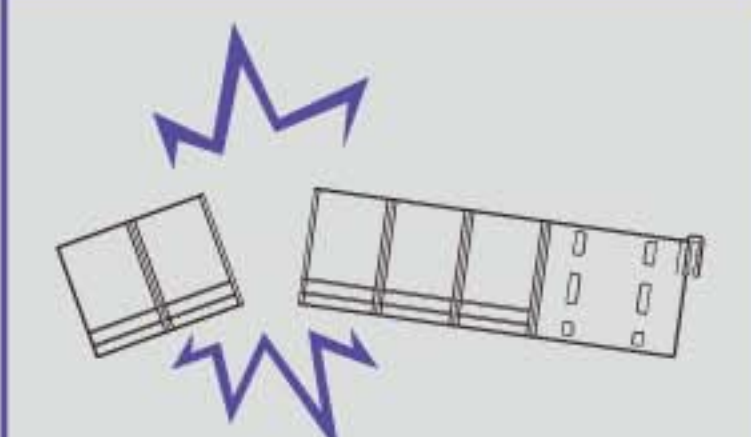
 <p>P-AD3</p>	<p>3" adjustable divider set in drawer (3 x short + 6 x adjustable + 2 x 3" strip + 6 x T clips)</p>	 <p>P-AT3</p>
 <p>P-AD6</p>	<p>6" adjustable divider set in drawer (3 x short + 4 x adjustable + 2 x 6" strip + 4 x T clips)</p>	 <p>P-AT6</p>

3" Individual divider

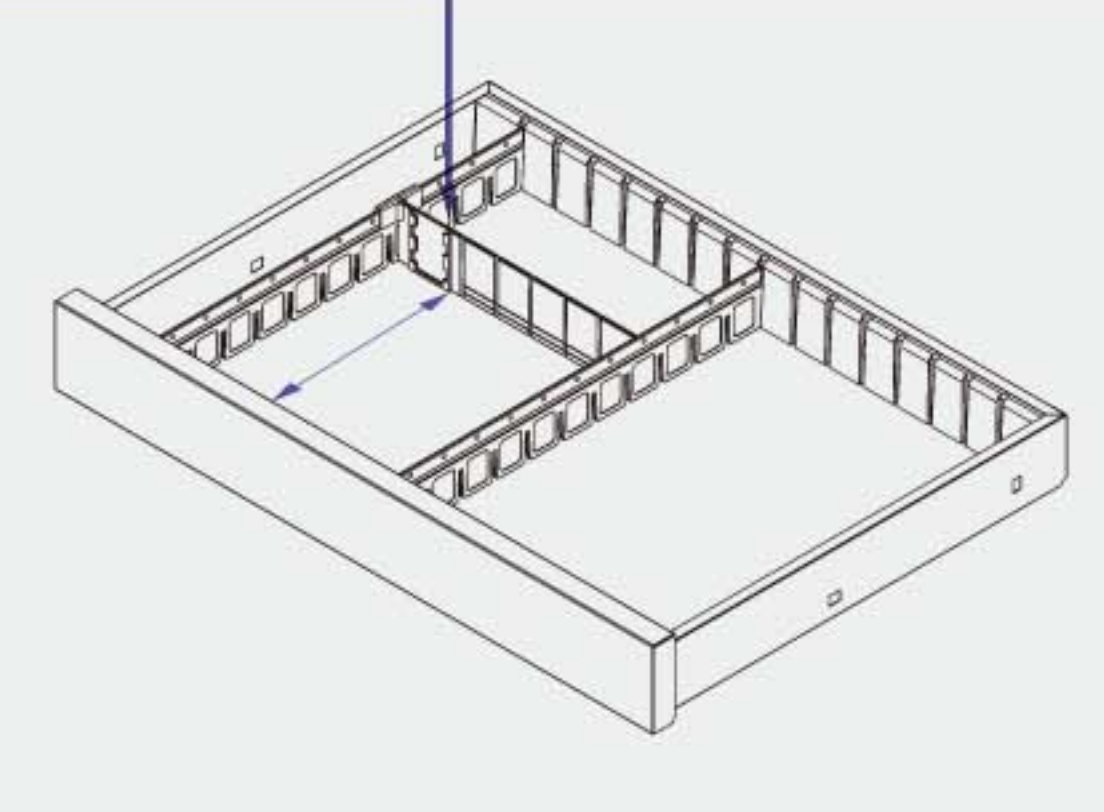
 <p>X-FD3 3" Fixed divider 542 x 51mm</p>	 <p>X-SD3 3" Short divider 368 x 51mm</p>	 <p>X-AD3 3" Adjustable divider 237 x 51mm</p>	 <p>X-LH Label holder 40 x 60mm 20 pcs/pack</p>
---------------------------------------------------------------------------------------------------------------------------------------------	---------------------------------------------------------------------------------------------------------------------------------------------	--------------------------------------------------------------------------------------------------------------------------------------------------	-------------------------------------------------------------------------------------------------------------------------------------------------------

6" Individual divider

 <p>X-FD6 6" Fixed divider 542 x 130mm</p>	 <p>X-SD6 6" Short divider 368 x 130mm</p>	 <p>X-AD6 6" Adjustable divider 237 x 130mm</p>	 <p>XTC T clip 40 x 36mm 10 pcs/pack</p>
-----------------------------------------------------------------------------------------------------------------------------------------------	-----------------------------------------------------------------------------------------------------------------------------------------------	----------------------------------------------------------------------------------------------------------------------------------------------------	-------------------------------------------------------------------------------------------------------------------------------------------------



The length of the adjustable divider can be changed with a snap. After snapping, the length of the adjustable divider cannot be restored to the original.



OPEN TROLLEY RANGE

Bailida open trolley range was designed for use in clean designated areas and for medicine transportation. Different accessories can be assembled on both sides of the trolley. This range is available with white frames, 3" & 6" blue ABS trays, and single or double columns at different trolley heights. The bumper design protects the user and the trolley well.



SPECIFICATIONS	OT-S1 (w/o push handle)		OT-S2 (w/ push handle)		OT-S3 (w/o push handle)		OT-D1 (w/o push handle)		OT-D2 (w/ push handle)		OT-D3 (w/o push handle)	
	mm	inch	mm	inch	mm	inch	mm	inch	mm	inch	mm	inch
W	659	26	659	26	659	26	891	35	891	35	891	35
D	406	16	406	16	406	16	606	24	606	24	606	24
H	822	32	1070	42	1454	57	822	32	1070	42	1454	57
H (w/o 4" Caster)	665	26	913	36	1297	51	665	26	913	36	1297	51
Tray / Basket Combination	457	18	610	24	1067	42	457 x 2	18 x 2	610 x 2	24 x 2	1067 x 2	42 x 2

BEDSIDE CABINET



Features

- ABS body, top & drawer
- 2" plastic casters



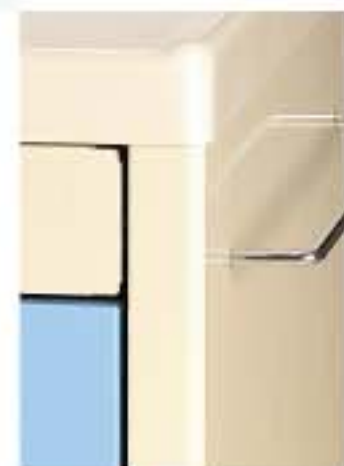
BC35GR



BC30PK

Features

- Metal powder coated body
- ABS top, sliding work surface
- Single drawer with key lock
- Recessed front facing w/ one adjustable layer inside for storage
- Stainless towel holders on both sides
- Available colours: light pink / light blue
- Other colours: available with MOQ
- 2" plastic casters



BC37BL



SPECIFICATIONS

	BC30PK		BC35GR		BC37BL	
	mm	inch	mm	inch	mm	inch
W	460	18.1	460	18.1	460	18.1
D	508	20	460	18.1	508	20
H (w/ 2" Caster)	760	29.9	870	34.3	930	36.6

MED-BIN CARTS

Med-bin carts with double-side bin drawers make the supply of medicines efficient and convenient.

- Metal with powder coating
- Central key lock at side to secure all drawers
- Drawer combination: 3" drawer x 1 + 3" bin drawer x 2 + 3" drawer x 1 + 6" drawer x 1 + 9" drawer x 1
- Total 3" ABS bin x 20pcs, 3" bin drawer x 2 rows x 2 sides (5 bins per row x 2 rows x 2 sides)
- 5" steel casters (Standard) (2 w/brake, 1 w/direction control, 1 free)



(w/5" dustproof casters)



(Back)

Double sided bin drawers make supplying medicines fast and efficient.



ABS bins

3" height (W112 x D215 x H75mm)
ABS bins with 2 removable PS dividers easily separate medicines and supply for any need.



SPECIFICATIONS

MBL3424

	mm	inch
W	690	27.2
D	540	21.3
H	1010	39.8
H (w/o 5" Caster)	885	34.8



NCL & MIL SERIES
MEDICAL FURNITURE & HOSPITAL EQUIPMENT

FEATURES OF THE NC SERIES

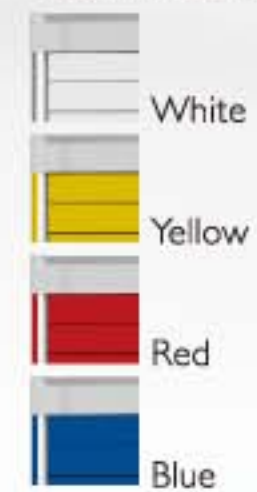
Powder paint

- 4 main colours, other colour options available
- Anti-static paint available
- Anti-static and anti-bacterial paints available

Features

- ABS top & bumpers
- Central key lock to secure all drawers
- Push handle

4 main colours



Other available colours



Computer drawer is available

Drawer specifications



3" Drawer
Outer: W 399 x D 398 x H 76 mm
Inner: W 353 x D 385 x H 56 mm



6" Drawer
Outer: W 399 x D 398 x H 155 mm
Inner: W 353 x D 385 x H 134 mm



9" Drawer
Outer: W 399 x D 398 x H 234 mm
Inner: W 353 x D 385 x H 213 mm

Drawer divider set for NCL series



3" Drawer dividers
(3 x short + 6 x adjustable + 2 x 3" strip + 6 x T clips)

N-AD3



6" Drawer dividers
(3 x short + 4 x adjustable + 2 x 6" strip + 4 x T clips)

N-AD6

Screen & notebook holders for NCL series



VLP
Screen holder w/long arm



VVN
Screen holder w/short arm & notebook holder

Notebook holder



VVP
Screen holder w/short arm

VLN
Screen holder w/long arm & notebook holder

NARROW CARTS

This narrow cart is designed with smaller overall dimensions and ideal for areas with limited space. It provides convenient storage and easy movement with different accessory options. Central key lock controls offers the necessary security on this lightweight and versatile unit.



NCL3405



NCL3405

SPECIFICATIONS

SPECIFICATIONS	NCL3405		NCL3706	
	mm	inch	mm	inch
Drawer 3"-6"-9"	2-2-1		3-2-1	
W (inc. bumper)	510	20.0	510	20.0
D (inc. bumper)	542	21.3	542	21.3
H	977	37.2	1056	41.6
H (w/o 4" caster)	842	33.2	921	36.3

ACCESSORY LIST

VCPR & VHK CPR cardiac board & hooks 440 x 510 x 10mm	VMH Magnetic label holder L80 x W50 x T5mm 6pcs/pack	VPT Pull-tite seal in pink w/ serial no., 50pcs/pack	VPS Plastic seal in red w/ serial no., 50pcs/pack	VGD & VPR-2 Glove dispenser & side rail
VSC & VPR-2 Sharps container & side rail	VBH & VPR-2 Bottle holder & side rail	VMS & VPR-2 Multi-storage (L) & side rail	VWC & VPR-2 Waste container w/ lid & side rail 255 x 170 x 315mm	VWB & VPR-2 Waste bin & side rail 265 x 255 x 460mm
VGB & VPR-2 Garbage bin & side rail 255 x 170 x 315mm	VFH & VPR-2 File holder & side rail 571 x 397 x 150mm	VCH & VPR-2 Catheter holder & side rail 100 x 100 x 480mm	VSH & VPR-2 Suction machine holder & side rail 213 x 395 x 115mm	VDH & VPR-2 Documents holder & side rail 330 x 160 x 255mm
VO2 & VPR-2 Oxygen tank holder & side rail 145 x 125 x 403mm	VSD Side drawer set, for 34" & 37" only, 450 x 120 x 665mm	VBP & VPR-2 Bumper set	VVP Screen holder set, short arm	VLP Screen holder set, long arm

VIV IV pole	VDS Defibrillator shelf 355 x 355 ~ 415mm

MINI CARTS

It especially provides the movable storage for areas with limited space. The design of central key lock can secure all drawers. You also can choose different colors to match your interior design.
(Not able to assemble accessories)

Drawer divider set for MIL series

N-AD3
3" Drawer dividers
(3 x short + 6 x adjustable + 2 x 3" strip + 6 x T clips)

N-AD6
6" Drawer dividers
(3 x short + 4 x adjustable + 2 x 6" strip + 4 x T clips)

Foldable table is available



SPECIFICATIONS	MIL3105		MIL3405		MIL3706	
	mm	inch	mm	inch	mm	inch
Drawer 3"-6"-9"	3-1-1		2-2-1		3-2-1	
W (inc. bumper)	520	20.4	520	20.4	520	20.4
D (inc. bumper)	540	21.2	540	21.2	540	21.2
H	867	34.1	946	37.2	1025	40.3
H (w/o 4" Caster)	732	28.8	811	31.9	890	35.0

IV POLE STAND

Durable material, stylish design with high mobility match different hospital environment.

- Pole: electroplate pole (outer: 25mm/ Inner: 19mm)
- Height adjustment: 1,225mm ~ 2,150mm (top to ground)
- Hook: 4 hooks (2 hooks removable)
- Base: diameter 480mm, PP & fiber, black
- Casters: 2" plastic free casters x 5
- Optional accessories



IV01



ISB
Basket only
(W120 x D120 x H90mm)



IBH
Bottle holder



ISC
Sharp container



IGD
Glove dispenser



IPH
Push handle
(diameter: 25mm)



IVO2
Oxygen
tank holder



IMS
Multi storage (L)



FUNC-CART SERIES

Func-Cart Double-Face medication trolleys make sorting and moving a variety of medications convenient. This series is perfect for transporting and sorting medications in hospitals, clinics, nursing homes, health centers and medical centers.



FC2703L

- PP worktop and handles
- Aluminium frame
- ABS side panels
- Central key lock control
- 4" TPR casters
- 3" drawer x 2
- 6" drawer x 1



FC2704L

- PP worktop and handles
- Aluminium frame
- ABS side panels
- Central key lock control
- 4" TPR casters
- 3" drawer x 2
- 6" drawer x 1
- 9" drawer x 1

ACCESSORY LIST

Side Accessories



VGD & VPR-3
Glove dispenser & side rail



VSC & VPR-3
Sharps container & side rail



VBH & VPR-3
Bottle holder & side rail



VMS & VPR-3
Multi-storage (L) & side rail



VWC & VPR-3
Waste container w/lid & side rail
255 x 170 x 315mm



VVB & VPR-3
Waste bin & side rail
265 x 255 x 460mm



VGB & VPR-3
Garbage bin & side rail
255 x 170 x 315mm



VFH & VPR-3
File holder & side rail
320 x 118 x 250mm



VCH & VPR-3
Catheter holder & side rail



VDH & VPR-3
Documents holder & side rail
330 x 160 x 255mm



4" plastic casters
(available for FC series)

SPECIFICATIONS

FC2703L

FC2704L

	mm	inch	mm	inch
W	760	29.9	760	29.9
D	490	19.3	490	19.3
H	1030	40.6	1030	40.6
H (w/o 4" caster)	930	36.8	930	36.8



Mount accessories on both sides.

Foldable Basket



W484 x D352 x H50mm



PP capacity : 20kg



W484 x D352 x H231mm



Double sided drawers make supplying medicines while on the go fast and efficient.

- PP worktop and handles
- Aluminium frame
- Central key lock control on both sides
- ABS side panels
- 4" TPR casters (2 w/ brake)
- 3" bin drawer x 2 rows per side
3" ABS bin x 20pcs
(5pcs per row x 2 rows x 2 sides)
- 6" bin drawer x 1 row per side
6" ABS bin x 10pcs
(5pcs per row x 1 row x 2 sides)
- 6" drawer x 1 + 9" drawer x 1



FC3432DXL

ABS Bin



ABS bins with PS dividers come in 2 sizes and easily separate medicines and supplies for just about any need.

- 1 3" Height (W 112 x D 215 x H 75 mm)
- 2 6" Height (W 112 x D 215 x H 154 mm)



Mount accessories on both sides.

SPECIFICATIONS	FC3432DXL	
	mm	inch
W	760	29.9
D	490	19.3
H	1090	42.9
H (w/o 4" caster)	990	39.1



FC3440DXL



ABS bins are easy to remove and replace.

Drawers



Strong drawers with large spaces easily accommodate large expendables and supplies.

- PP worktop and handles
- Aluminium frame
- Central key lock control on both sides
- ABS side panels
- 4" TPR casters (2 w/ brake)
3" bin drawer x 2 rows per side
3" ABS bin x 20pcs
(5pcs per row x 2 rows x 2 sides)
- 6" bin drawer x 2 rows per side
6" ABS bin x 20pcs
(5pcs per row x 2 rows x 2 sides)

SPECIFICATIONS	FC3440DXL	
	mm	inch
W	760	29.9
D	490	19.3
H	1090	42.9
H (w/o 4" caster)	990	39.1

FUNC-CART SERIES

- PP top and handles
- 4 Aluminium frames
- 4" casters
- FC2811 / FC2821 / FC2813 with 3-side panels & ABS door w/key lock
- FC2801 / FC2803 / FC2805 / FC2807 with 3-side panels



SPECIFICATIONS

	FC2800		FC2801 (w/ 3-side panels)		FC2802		FC2803 (w/ 3-side panels)		FC2804		FC2805 (w/ 3-side panels)		FC2806		FC2807 (w/ 3-side panels)	
	mm	inch	mm	inch	mm	inch	mm	inch	mm	inch	mm	inch	mm	inch	mm	inch
W (w/ handles)	900	35.4	900	35.4	900	35.4	900	35.4	900	35.4	900	35.4	900	35.4	900	35.4
W	760	29.9	760	29.9	760	29.9	760	29.9	760	29.9	760	29.9	760	29.9	760	29.9
D	490	19.3	490	19.3	490	19.3	490	19.3	490	19.3	490	19.3	490	19.3	490	19.3
H	1040	40.9	1040	40.9	1040	40.9	1040	40.9	935	36.8	935	36.8	935	36.8	935	36.8
H (w/o 4" caster)	940	37.2	940	37.2	940	37.2	940	37.2	835	32.8	835	32.8	835	32.8	835	32.8
Caster		4"		4"		4"		4"		4"		4"		4"		4"
Tray: L	720	28.4	720	28.4	720	28.4	720	28.4	720	28.4	720	28.4	720	28.4	720	28.4
Tray: W	450	17.7	450	17.7	450	17.7	450	17.7	450	17.7	450	17.7	450	17.7	450	17.7



UTILITY CART

- 4 Aluminium frames
- 4" TPR casters. (2 swivels, 2 brakes)
- PP shelf can be cleaned and assembled easily
- Sized to carry different loads
- Supplied in knock down form
- Durable and multi-use cart for in houses, factories and all working conditions



UC2530



UC3120



UC3130



UC4330

UC4320
UC4320P
(w/ 3-side panels)

UC4330P
(w/ 3-side panels)

SPECIFICATIONS	UC2530		UC3120		UC3130		UC4320 UC4320P (w/ 3-side panels)		UC4330		UC4330P (w/ 3-side panels)	
	mm	inch	mm	inch	mm	inch	mm	inch	mm	inch	mm	inch
W	655	25.8	790	31.1	790	31.1	1100	43.3	1100	43.3	1100	43.3
D	370	14.6	480	18.9	480	18.9	520	20.5	520	20.5	520	20.5
H	900	35.4	950	37.4	1000	39.4	950	37.4	1020	40.2	1020	40.2
H (w/o 4" caster)	824	32.6	850	33.6	900	35.4	850	33.6	920	36.4	920	36.4
Caster	3"		4"		4"		4"		4"		4"	
Tray: L	485	19.1	620	24.4	620	24.4	915	36.0	915	36.0	915	36.0
Tray: W	365	14.4	450	17.7	450	17.7	520	20.5	520	20.5	520	20.5
N.W. / G.W. (kg)	8.0 / 9.0		8.0 / 10.0		11.0 / 12.0		12.5 / 15.0		16.5 / 19.0		20.5 / 23.0	
Carton (mm)	576L / 409W / 200H		712L / 509W / 180H		712L / 509W / 236H		991L / 552W / 200H		991L / 600W / 279H		991L / 600W / 279H	



UC4330P

EQUIPMENT CART

All EC models are well designed and high quality; with 4 castors 100 mm dia., 2 castors of which are lockable. The height of each shelf & each drawer is adjustable to fit your needs.

- Mount profile: aluminium
- Drawer/shelf: metal w/ powder coated, height adjustable
- Push handle: steel tube w/ powder coated
- Drawer/shelf cover: ABS
- Base cover: ABS
- Drawer rail: auto return



SPECIFICATIONS

EC5311 / EC5330 / EC5302 / EC5314

Cart dimensions (mm)	W500 x D610 x H1350 (w/ 4" casters) (EC5311)
Aluminium profile height (mm)	1230 / 1170 (above the base)
Drawer dimensions (mm)	W455 x D360 x H140
Shelf dimensions (mm)	W455 x D360 x H30
Cart weight (kg)	35 (EC5311)
Drawer load limit (kg)	10
Shelf load limit (kg)	10
Caster dimensions	4" steel casters (100mm, 2 w/ brake) Anti-static casters available at additional charge.



- EVC**
VESA connector, height adjustable
- Material: steel
 - Weight capacity: ~8kg (17.6 lbs)
 - Rotation: 270°
 - Pivot: 180°
 - VESA: 75 / 100mm



- ELC**
Monitor long arm, height adjustable
- Material: steel
 - Max weight: 10kg
 - Max length: 25cm
 - VESA: 75 / 100mm

- EKB**
Key board & mouse holder, height adjustable
- Tilt: 180°
 - Material: aluminum alloy
 - Extension: 540 mm



- EHL**
Push handle, metal with powder coating, height adjustable

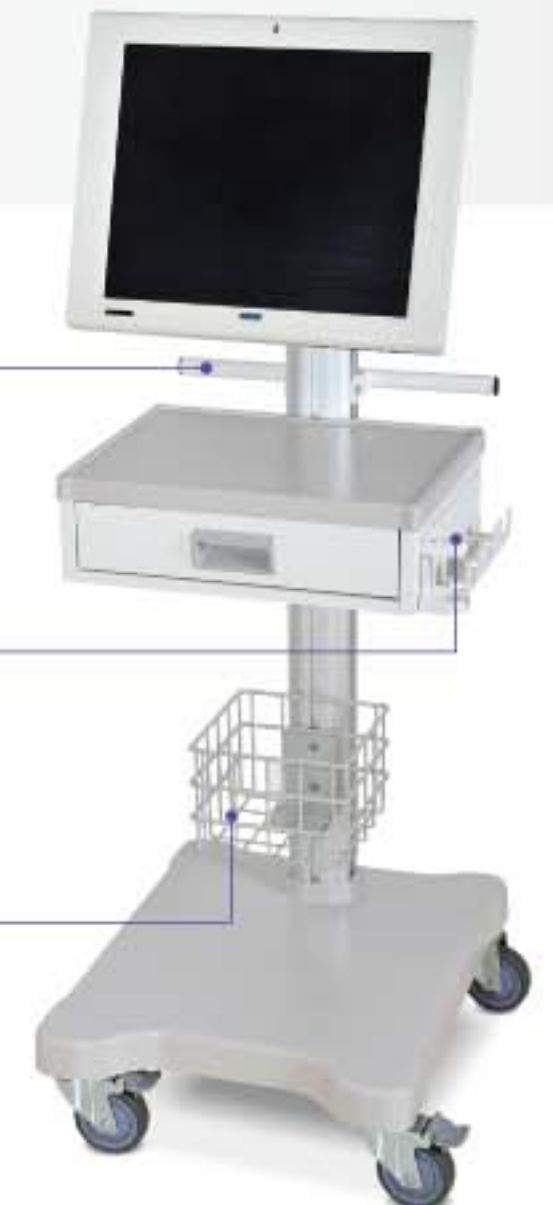


- EPH**
Probe holder

- EBH**
Bottle holder



- EBB**
Utility wire basket, height adjustable (20 x 20 x 15cm)



CLEAN LINEN TROLLEY

- Smooth design and easy to clean
- Durable construction
- Fixed three shelves and top tray
- Two push handles
- PPR bumper
- CL5604 opens on both sides for easy access
- CCL5604B w/ the back



CL5604



CL5604B (with back)

SPECIFICATIONS

CL5604 / CL5604B (with back)

Material	Steel with powder coating, white
Overall (mm)	L1190 x W625 x H1431
Shelf size (mm)	L1000 x W500
Caster	6" steel casters (2 swivel & 2 w/ brake) provide convenient mobility



FIT YOUR NEEDS

MEDICAL CARTS

MEDICAL FURNITURE & HOSPITAL EQUIPMENT

100% of our best for you



BAILIDA

www.bailida-medical.com